



sinoma 中材建设有限公司
CBMI Construction Co., Ltd.

CBMI

MMG PLANT



CONTENTS

01 **Brief introduction of CBMI**
Company Profile, Performance Distribution, Main Customers

02 **About MMG PLANT**
Overview and Product Scheme Display

03 **Features of MMG PLANT**
Investment saving, Short Construction Period, Reliable Operation, Strong Adaptability and Personalized Selection

04 **Customer Service**
Global Service, Professional Team, Contact Us



Brief introduction of CBMI

⊕ Company
Profile

⊕ Performance
Distribution

⊕ Main
Customers

Company Profile: CBMI Construction Co., Ltd. (CBMI), a core member of SINOMA International Engineering Co., Ltd., is subordinate to China National Building Material Group Co., Ltd., one of the top 500 companies in the world. Since its establishment in 1959, CBMI has focused on the construction of cement industry engineering, and become a reliable global one-stop industrial engineering service provider integrating consultation, design, supply, construction, operation and maintenance from the leader in the cement industry.



Performance Distribution

102

102 projects have been and are under construction abroad

CBMI overseas projects have covered the markets of France, Italy, Spain and other European developed countries, and spread across Europe, Asia, Africa and America.

98

98 projects have been and are under construction in China, ranging from Heilongjiang Province in Northeast China, Hainan Island in South China, the coast of the Bohai Sea in East China, and the Qinghai Tibet Plateau in West China.

200

There are total 200 contracted projects in China and all over the world.

The first overseas cement plant EPC project undertaken by CBMI: DOMICEM Project in Dominica.
The first cement EPC project in China: Dujiangyan Lafarge Project.

Main Customers





About MMG PLANT

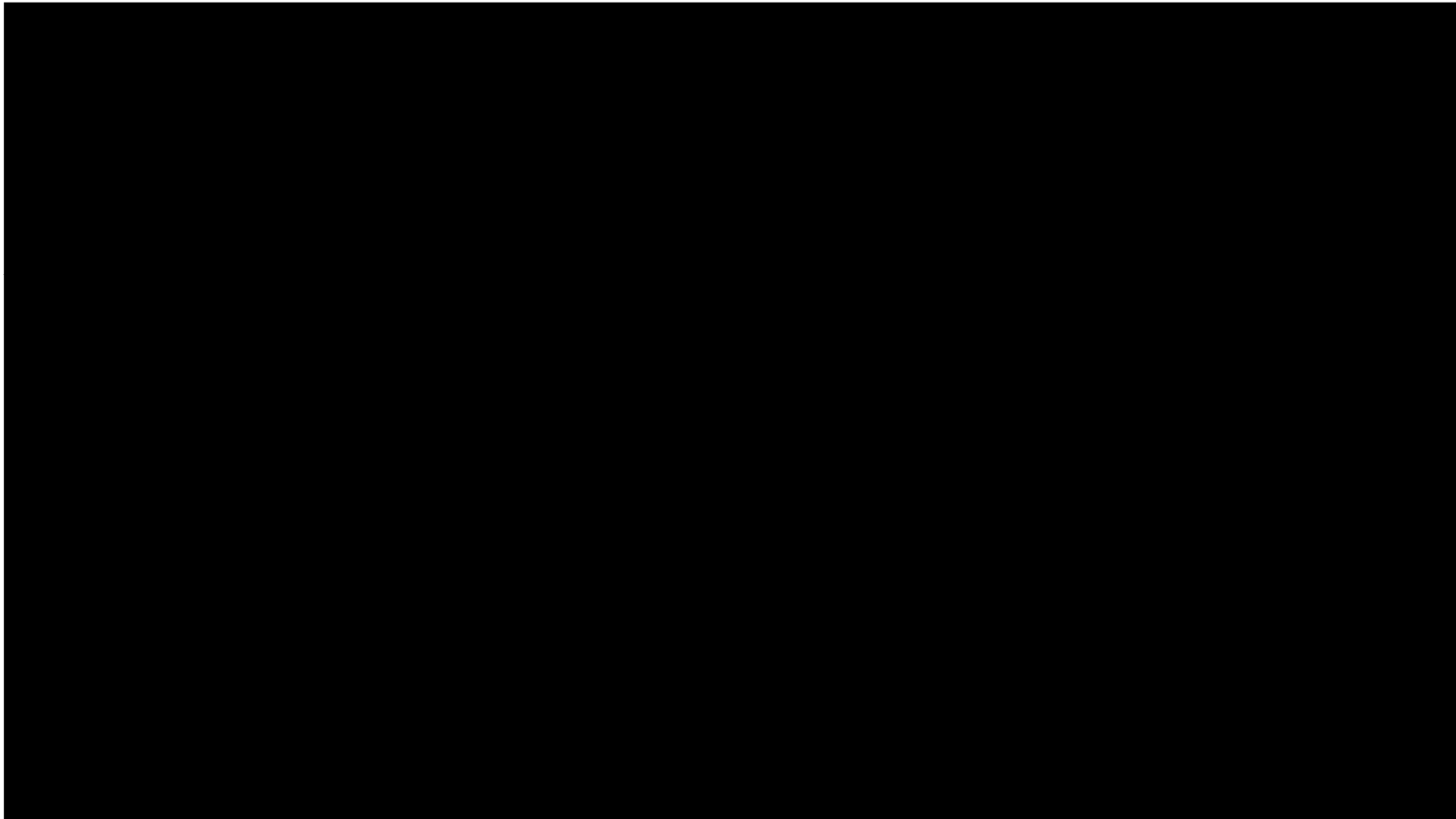
⊕ Overview ⊕ Product Scheme Display

In the case of cement as the cornerstone of national construction, the lack of production capacity is hindering the development of developing countries. The higher construction cost and longer construction cycle also affect the expansion of the production capacity and the upgrading of production lines in most regions. Relying on the strong strength of the cement industry, CBMI has developed and designed a fully new MMG plant, which is developed according to the technical route of "Pre-assembly and Modularization" and the design concept of "Less Investment, Quick Effect and Reliable Operation".



Overview of MMG PLANT

Based on modular design, transport to the world upon manufacturing and pre-assembly in the factory, and achieve fast assembly or transfer in the construction site.



Overview of MMG PLANT

Product Solution

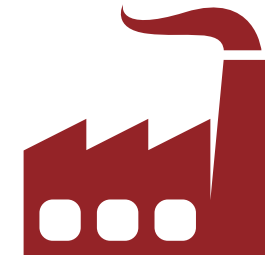


**Modularization scheme of
400,000 ton/year ball milling**

**Modularization scheme of
500,000 ton/year vertical mill**

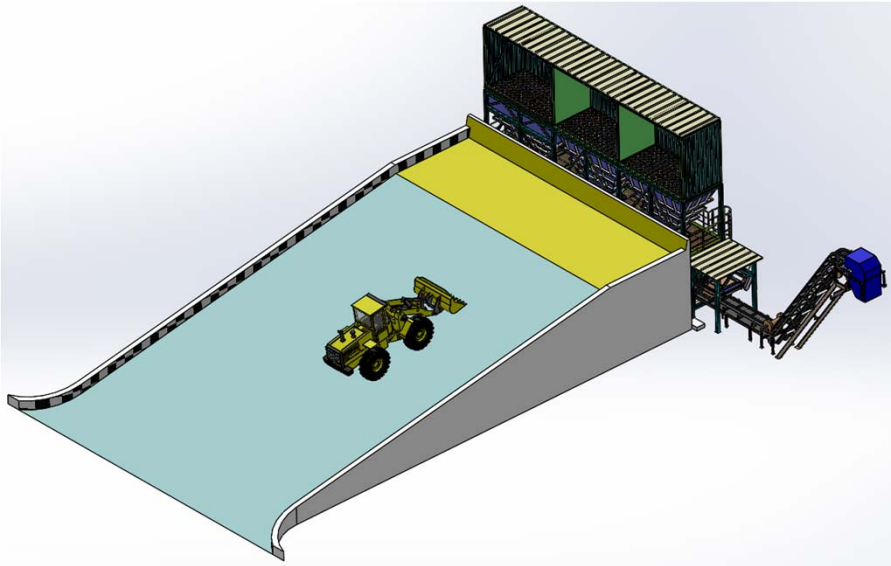
**Modularization scheme of
700,000 ton/year vertical mill**

Range of Product line



**A complete set of cement grinding
production line, including storage of
raw materials in the factory, feeding
station, cement grinding mill,
storage of warehoused cement,
bulkload, packaging and other
workshops.**

Product Scheme Display



Main scheme: feeding with slope forklift

Features: convenient feeding, less steel structure, and large amount of on-site construction

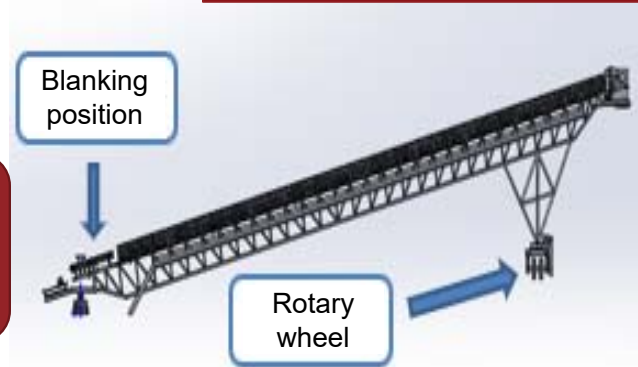
➤ **Selection of feeding schemes for various raw materials**

Alternative 1: feeding with a large inclination angle



Features: modular, flexible feeding, and large floor space

Alternative 2: rotary feeding



Features: convenient cutting and switching, convenient maintenance, and small floor area

Raw material feeding unit

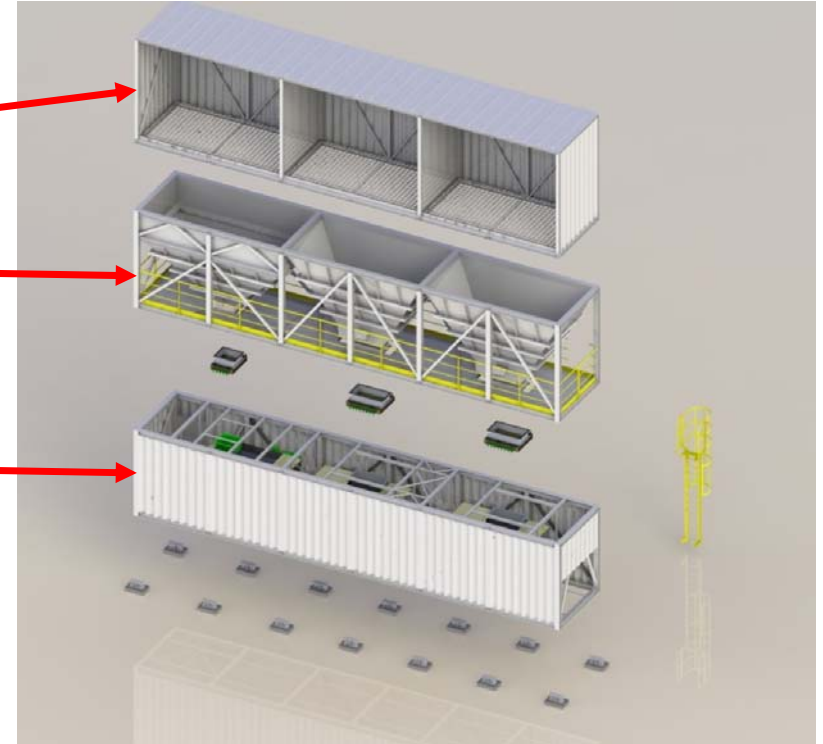
Product Scheme Display



Upper Box Module

Middle Box Module

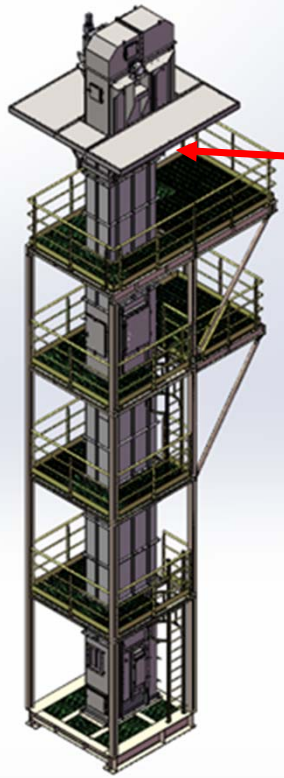
Lower Box Module



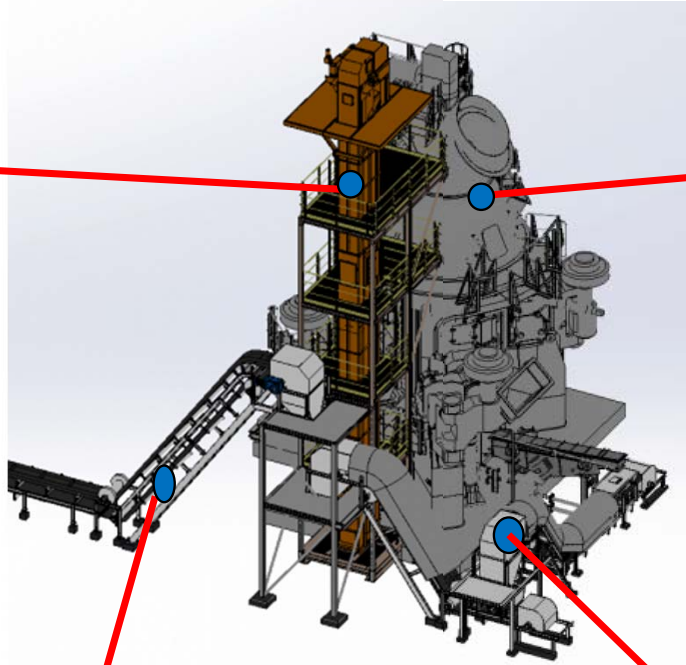
- Box module
- Factory integration

Dosing Unit

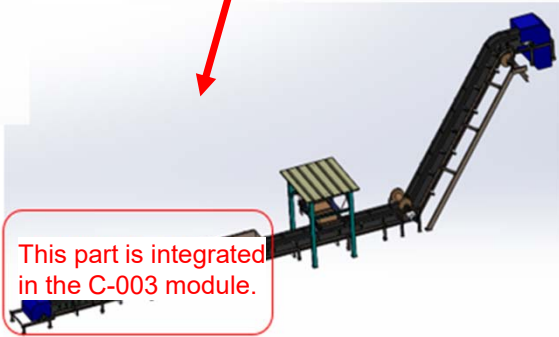
Product Scheme Display



Feeder building module

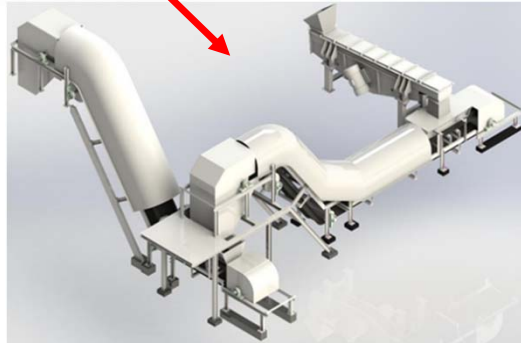


Quick modular assembly and mill with superior performance

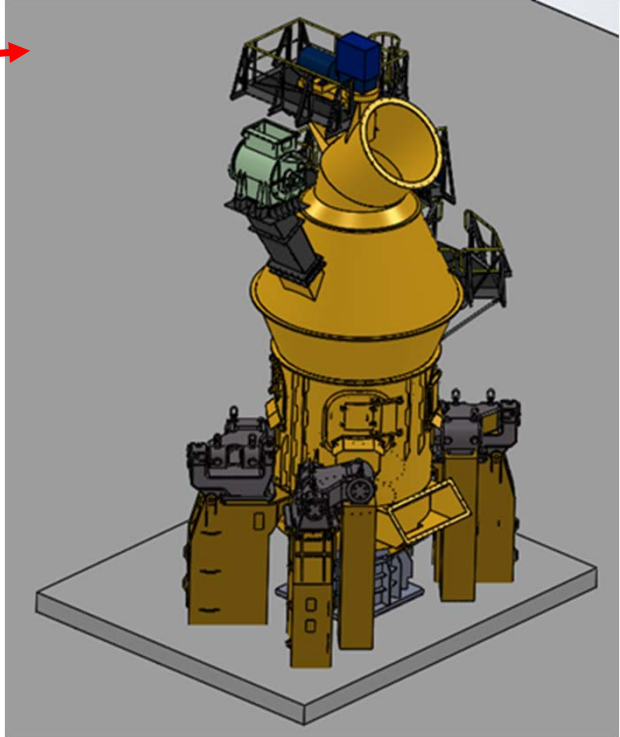


This part is integrated in the C-003 module.

Mixture conveying module



Mill return module

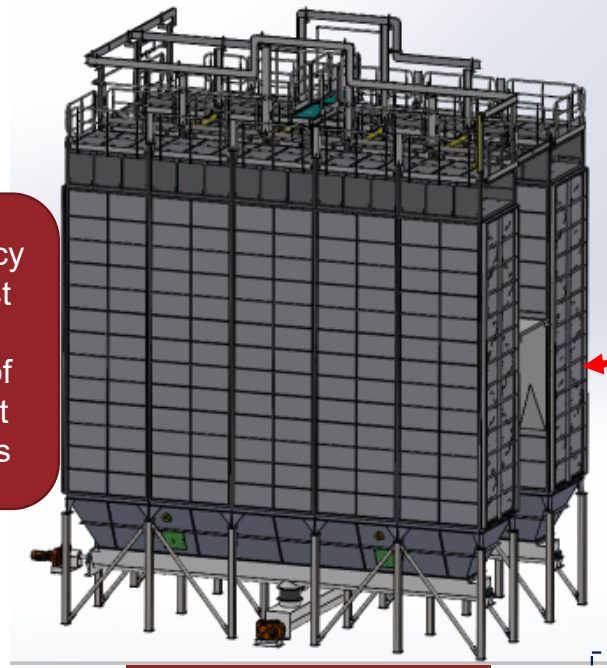


Vertical mill module

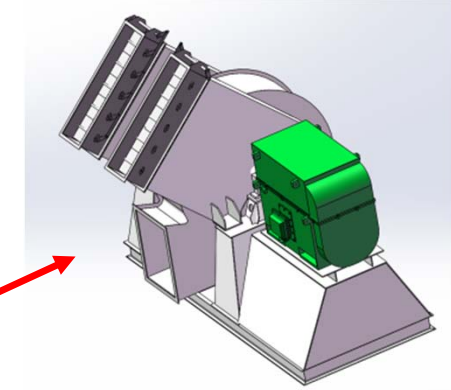
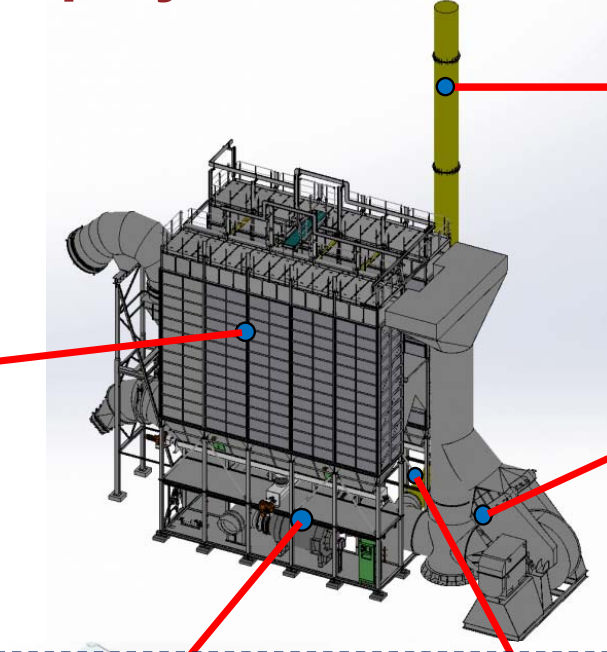
Cement mill - Unit 1

Product Scheme Display

High efficiency process dust collector composed of independent unit modules



Process dust collector module

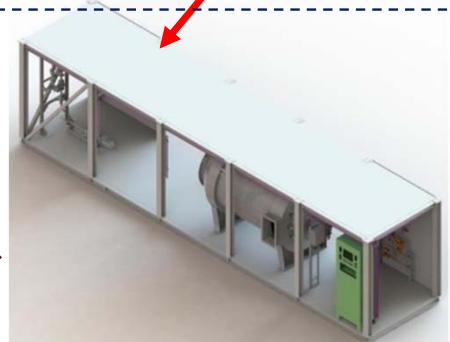


Fan module

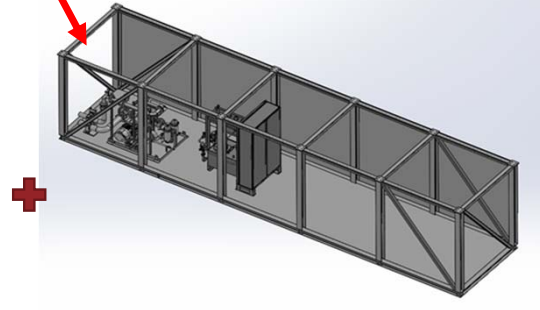


Chimney module

Basic frame of process dust collector



Module for hot blast furnace and mill water spray



Module for mill lubrication and hydraulic system

Cement mill - Unit 2

Product Scheme Display

Cement Silo Scheme

➤ Scheme I: split type

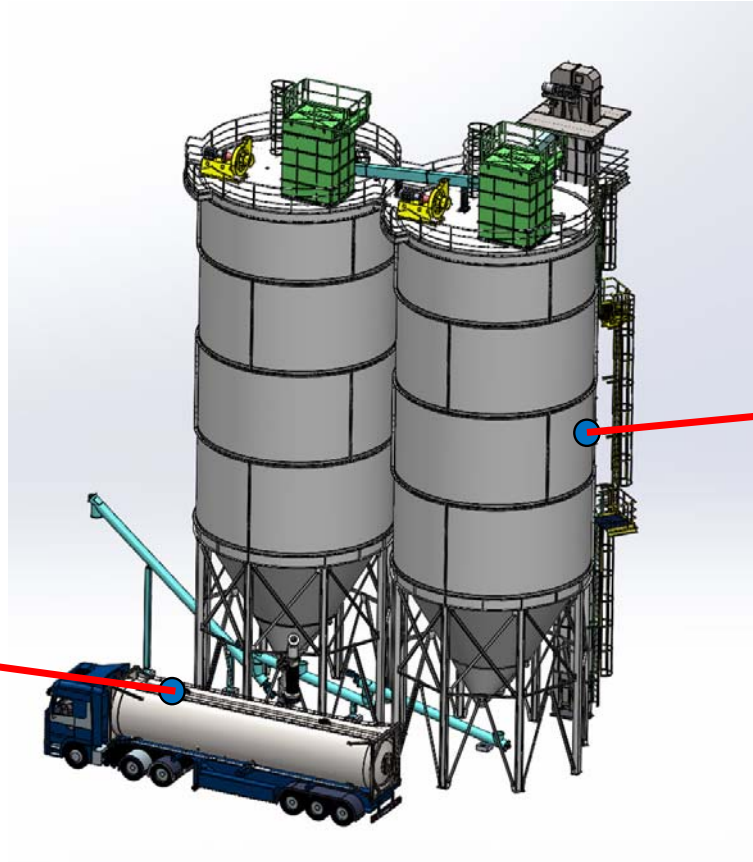
Features: it is suitable for powder materials and bolt connection with a short construction period, and can be rebuilt in another place.

➤ Scheme II: welding type

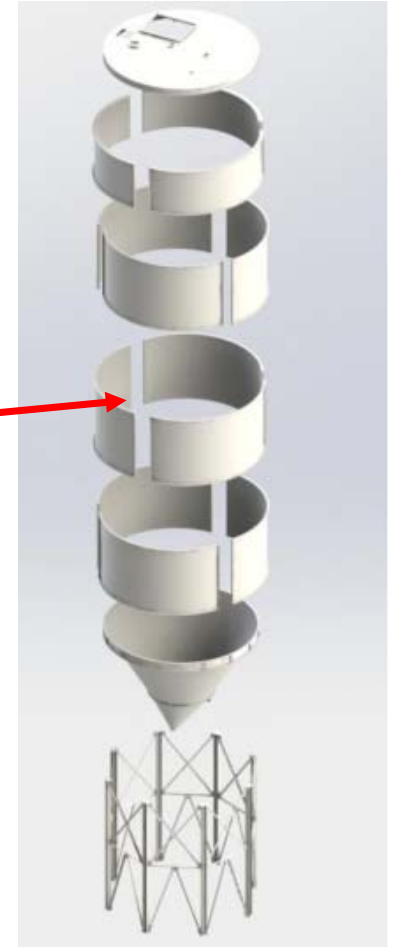
Features: it is suitable for powder materials with good sealing, pre-rolling on-site welding, and long service life.

➤ Scheme III: Lipu warehouse

Features: it has good adaptability, good sealing, short construction period, and strong corrosion resistance.



Cement bulk module

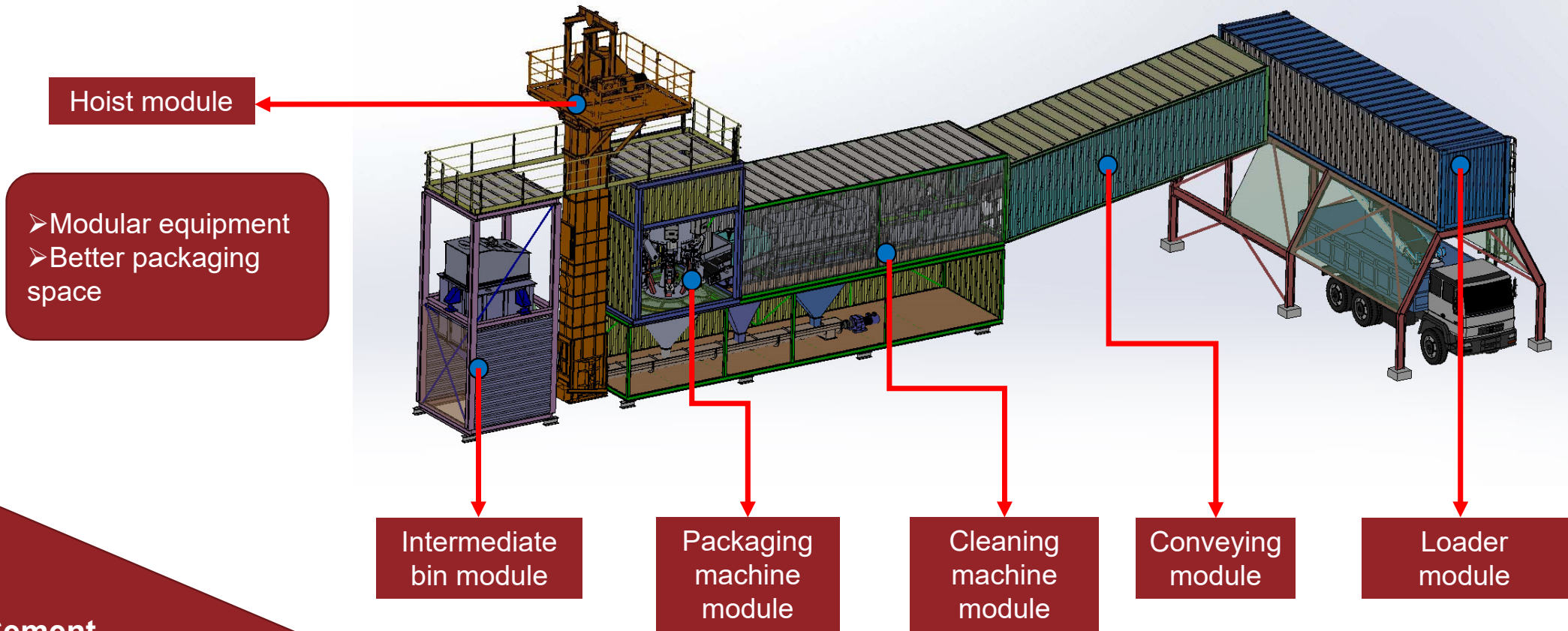


Cement warehouse module

- Quick assembly with bolt connection
- Selection of various bin schemes

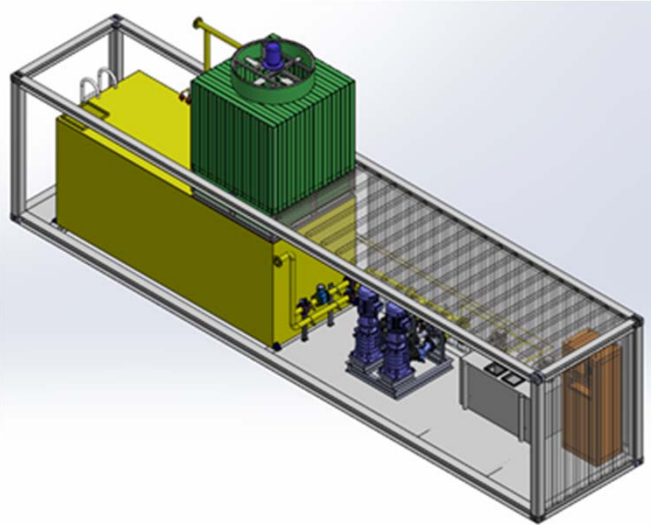
Cement Storage Unit

Product Scheme Display



**Cement
Packaging Unit**

Product Scheme Display

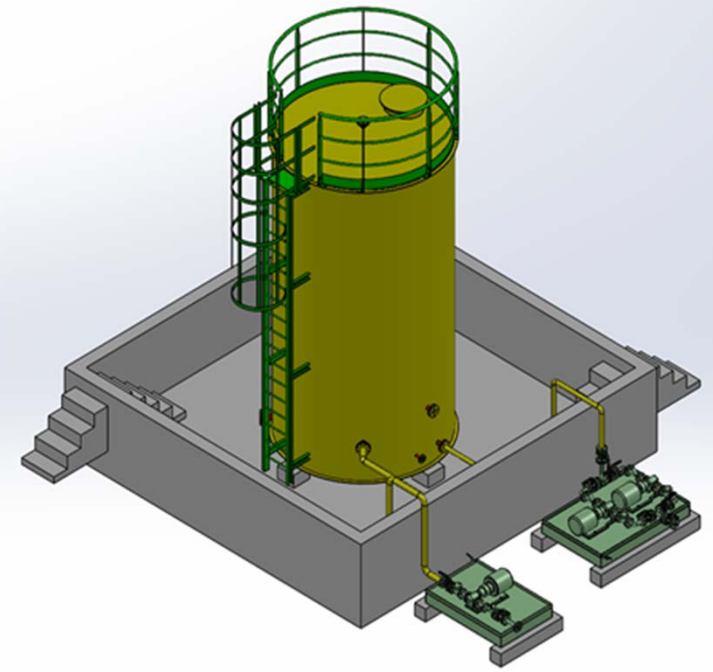


Pump station module

- Factory Integration
- Overall Delivery



Air compressor station module



Tank + pump module

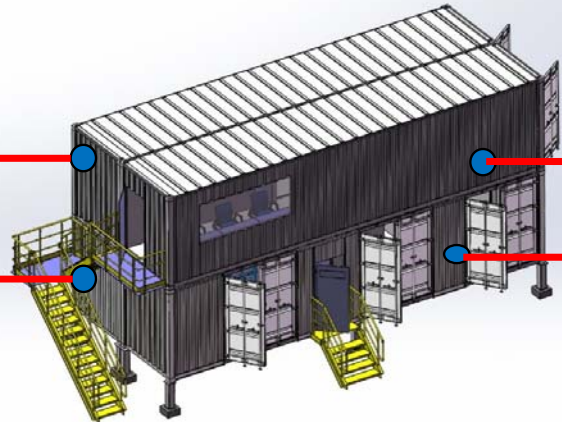
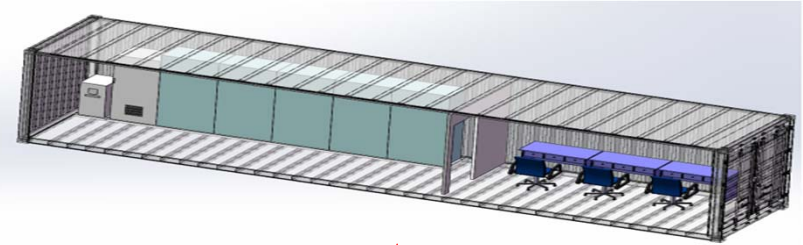
Common Unit

Product Scheme Display

low-voltage module



Auxiliary and central control module

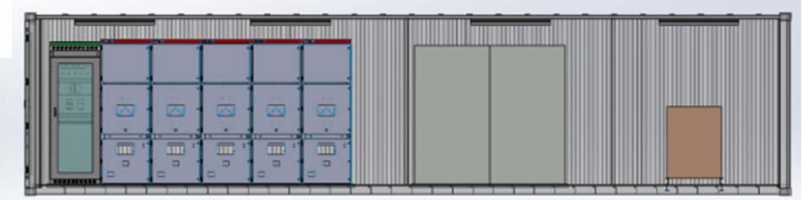


MV electrical module-2



- Factory Integration
- Overall Delivery

MV electrical module-1



Electrical Unit



Features of MMG plant

- ⊕ Investment saving
- ⊕ Short construction period
- ⊕ Reliable operation
- ⊕ Strong adaptability
- ⊕ Personalized selection



Investment saving

The production process layout is optimized and the floor area is small.

Modular and standardized design, factory integration and pre-assembly, convenient installation, re-assembly and use quickly in different places.



Shorten the floor space by about 43%



Reduce the installation cycle by about 56%



Decrease the labor investment by about 70%



Save more than 20% of total investment

Short Construction Period <9- 12month till start up



Modular manufacturing and manufacturing cycle guarantee

Less on-site construction and short construction period

Standardized design, and rapid start of manufacturing and construction

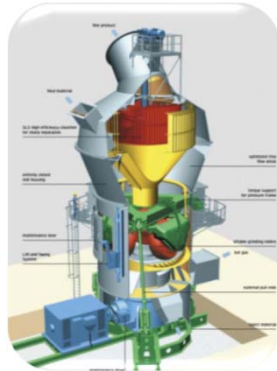


Reliable Operation



Product Design Optimization

Leading technical strength in the industry to provide better system designs.



Device Configuration Optimization

Optimized equipment configuration with better performance.



Factory Integration

Factory integration and strict quality control system, strong supply quality assurance.



Professional Training and Production Operation Service

Professional training and production and operation services to protect the production line.

Strong Adaptability

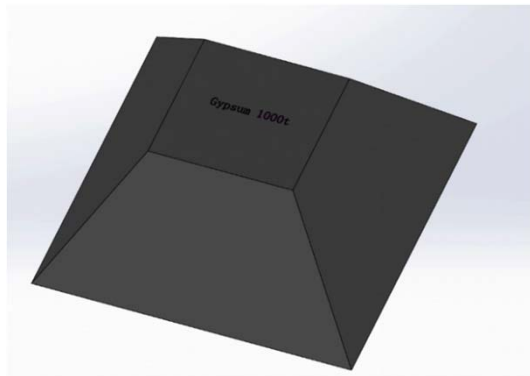
High adaptability of raw materials, applicable to cement with multiple models. Technical parameters of modular scheme for 500,000 ton/year vertical mill:

Technical Index	CEM I		CEM II/B-L		Slag (GGBFS)	
Fineness acc. To Blaine (cm ² /g)	3500	4500	4000	5000	4000	5000
Grindability (kwh/t)	19	25	15	19	24	27
Production rate (t/h)	54	44	70	53	43	38
Power consumption of system (kwh/t)	33	39.5	27	33	41	46
Maximum feed grain size (mm)	50					
Approy. yearly Production rate (t/y)	400,000	330,000	500,000	350,000	320,000	280,000
Installed mill moter power (kW)	1200 (max.1350)					
Total installed power (kW)	about 2500~2800					
	CEM I :95%Clinker+5%Gypsum EN197-1					
	CEM II/B-L :65~79%(Clinker+Gypsum)+21~35%Limestone EN197-1					

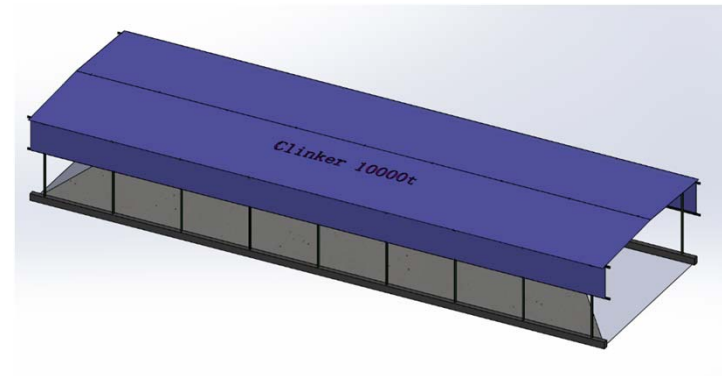
Personalized Selection

I. Auxiliary System:

- Raw material storage options

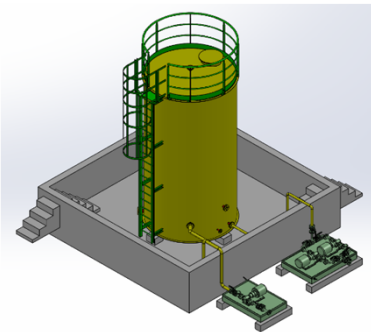


Open Storage



Storage in Steel Structure Shed

- Oil tank options for oil supply system



Vertical Oil Tank



Buried Oil Tank



Horizontal Oil Tank

Personalized Selection

I. Auxiliary Unit:

- Paper bag storage



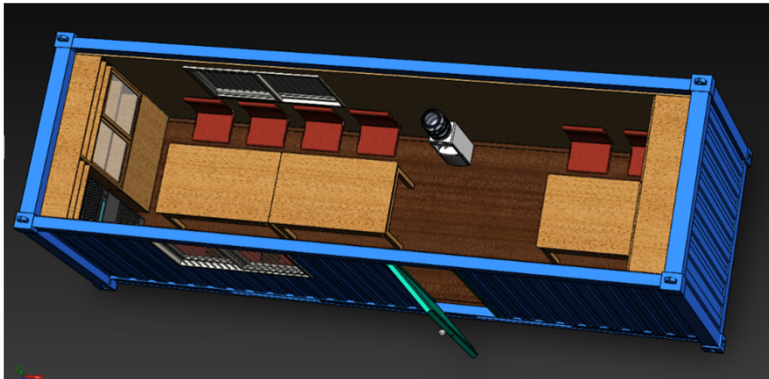
Paper bag storage

- Machine repair shop
- Spare parts warehouse
- Incoming and outgoing metering system
- Emergency power generation system

Personalized Selection

II. Office and Living Facilities:

- Office, duty room and public toilet



Office



Duty Room



Public Toilet

- Staff quarters

III. Intelligent Production:

- Design according to customer requirements



中国建材

sinoma 中材建设有限公司
CBMI Construction Co., Ltd.



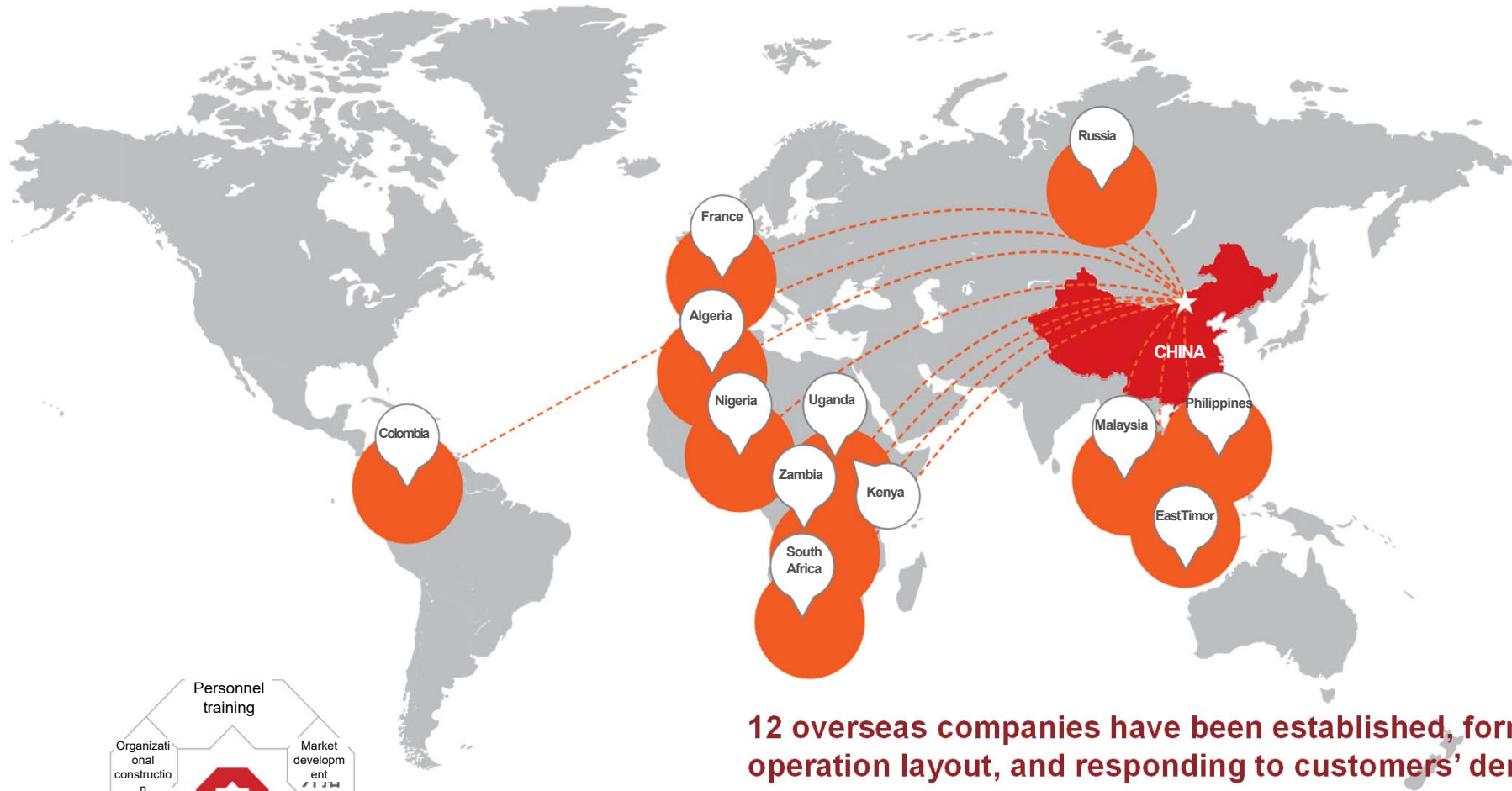
Reliable Global EPC Contracting Partner

Customer Service

- ⊕ Global services
- ⊕ Professional team
- ⊕ Contact us



Global Services



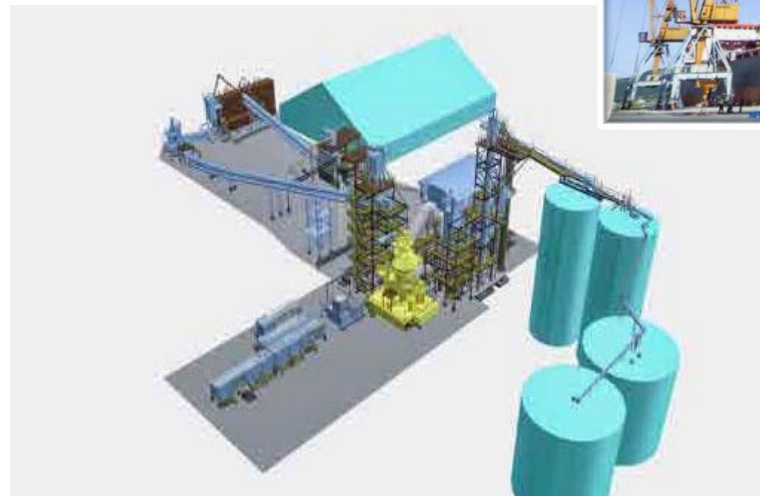
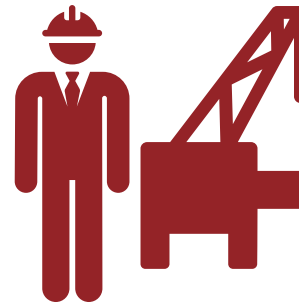
12 overseas companies have been established, forming global operation layout, and responding to customers' demand quickly.



Professional Team



The professional team provides customers with consultation, design, supply, construction, operation and maintenance solutions and services.



Modular mill in Guinea

Innovation Performance Harmony Responsibility

Contact Us

CBMI Construction Co., Ltd.

+86 10 67285115

MARKETING@CBMI.COM.CN

MMG@CBMI.COM.CN

WWW.SINOMA-CBMI.CN

No. 7, Longqing Street, Yizhuang
Economic and Technological Development
Zone, Beijing
100176



Official
WeChat

Sinoma Construction Algérie Branch

+213 23823010

algeria@cbmi.com.cn

79 Rue Khemisti Mohamed,
Dar El Beida, Alger, Algérie

CBMI Colombia Office

+57 314 381 3401

colombia@cbmi.com.cn

Calle 87 # 19B-27, Bogota

CBMI East Timor Branch

+67077921809

easttimor@cbmi.com.cn

RUA DE MANLEUANA, BAYA
LESTE, MANLEUANA, DOM
ALEIXO, DILI, TIMOR-LESTE

Sinoma Construction France Branch

+33 (0)630865270

france@cbmi.com.cn

15 Chemin de la Crabe 31300
Toulouse

CBMI Kenya branch

+254 786611555

kenya@cbmi.com.cn

5TH Floor, FCB Mihrab plaza,
Lenana Road, Kilimani,
Nairobi, Kenya

CBMI branches in Malaysia

+603 7931 0353

malaysia@cbmi.com.cn

Menara Suezcap, D-28-1, KL
Gateway, 2 Jalan
Kerinci, Gerbang
Kerinci Lestari, 59200
Kuala Lumpur

Sinoma Construction Nigeria Branch

+234 80 9365 0888

nigeria@cbmi.com.cn

No.4 Ganges Street,
Minsters Hill,
Maitama, Abuja, Nigeria

CBMI Philippines Branch

+639271655506

philippines@ccbmi.com.cn

37F Rufino Pacific Tower, 6784
Ayala Ave., V.A. Rufino St.,
Makati City, Metro Manila,
Philippines

Sinoma Construction Russia Branch

+7(965) 700-07-61

russia@cbmi.com.cn

121099, Moscow,
Smolenskaya Square, 3

CBMI Zambia branch

+260972746578

zambia@cbmi.com.cn

'Stand NO.40, Off Central
Street, Jesmondine, Lusaka,
Zambia

CBMI South Africa branch

+27100134215

southafrica@cbmi.com.cn

Unit 7B-2 Sinosteel Plaza, 159
Rivonia Road, Morningside
Ext39, Sandton 2146,
South Africa

CBMI Uganda Branch

+256 706 050 071

uganda@cbmi.com.cn

Plot 9, Yusuf Lule Road, 5th
Floor, P.O.Box 37021,
Kampala, Uganda